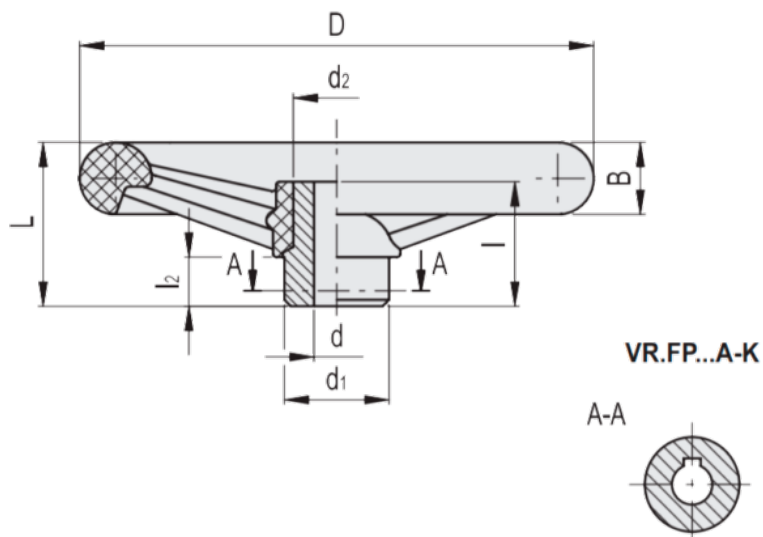


Article number: 23017731114K  
 Description: E+G Handwheel  
 VR.140 FP-A14-K

## Measures

VR.FP-A



|         |       |       |        |
|---------|-------|-------|--------|
| B       | = 20  | l     | = 38   |
| b       | = 5   | L     | = 47   |
| C (N*m) | = 165 | L (J) | = 12   |
| D       | = 139 | l2    | = 15   |
| d1      | = 32  | t     | = 16.3 |
| d2      | = 24  |       |        |
| d'''    | =     |       |        |
| d''''   | =     |       |        |